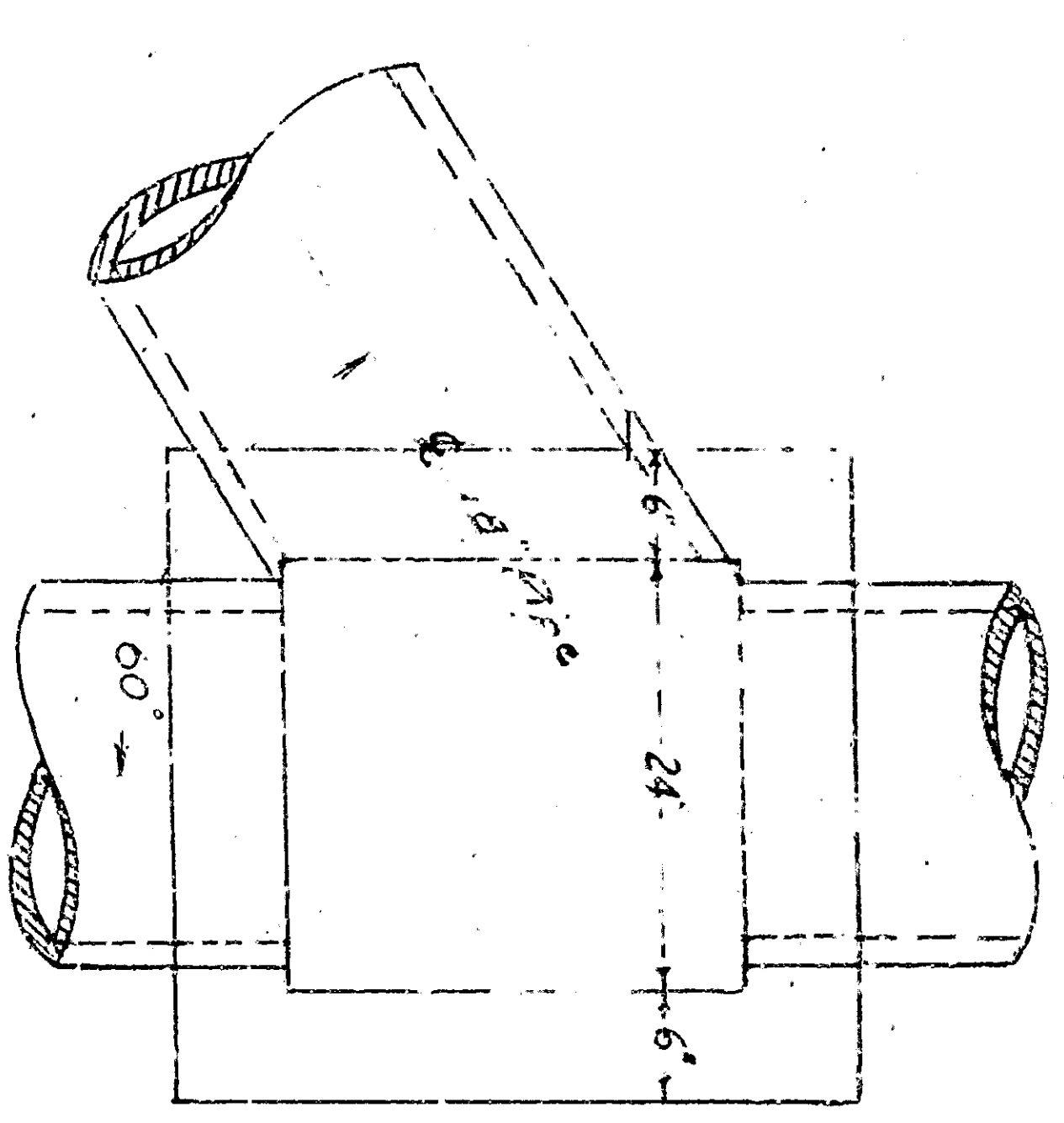
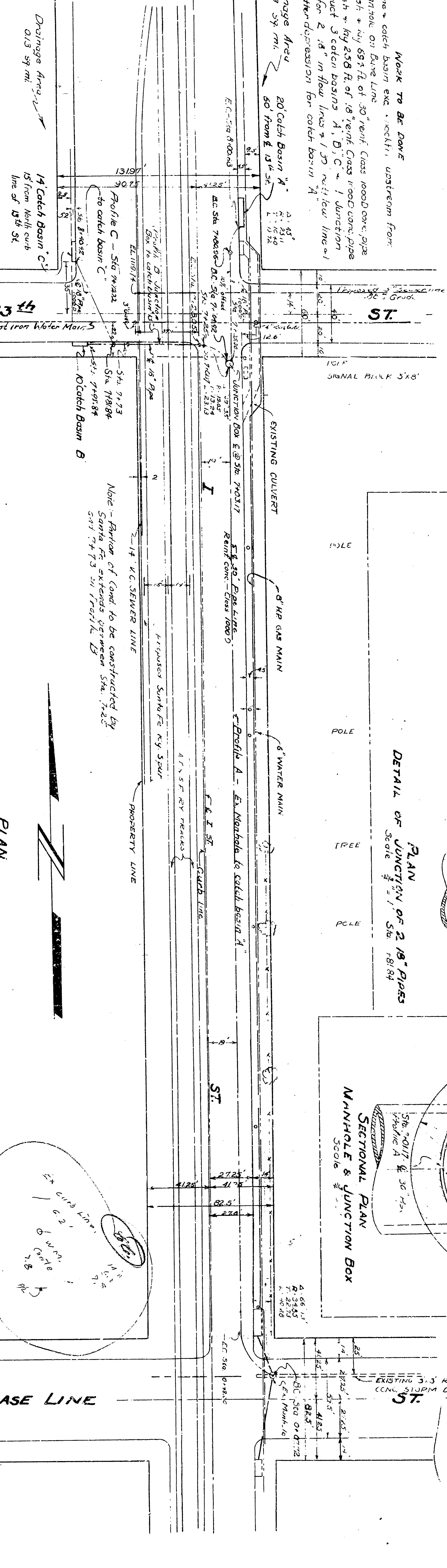


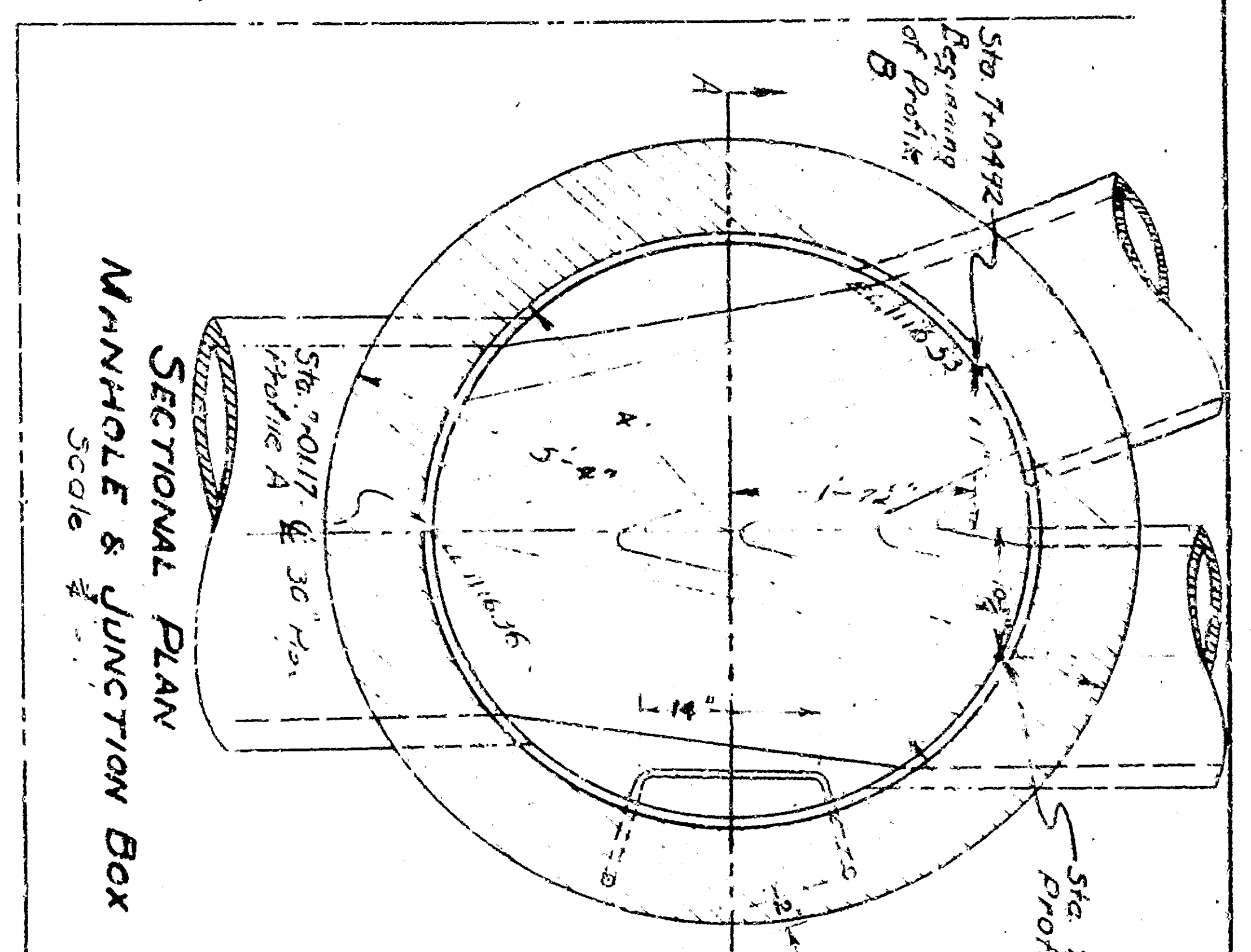
Power Temp selected backfill to top of all pipes shown on this plan

1. Pipe lines catch basin etc. - section, upstream from the manhole on Pipe Line
2. Furnish + lay 657 ft. of 30' vent. Cast iron down pipe
3. Furnish + lay 248 ft. of 18' vent. Cast iron down pipe
4. Construct 3 catch basins A, B, C - 1 junction
5. Lay 2' 18" in flow line + 1' 30" in flow line + 1' 30" in flow line for catch basin A

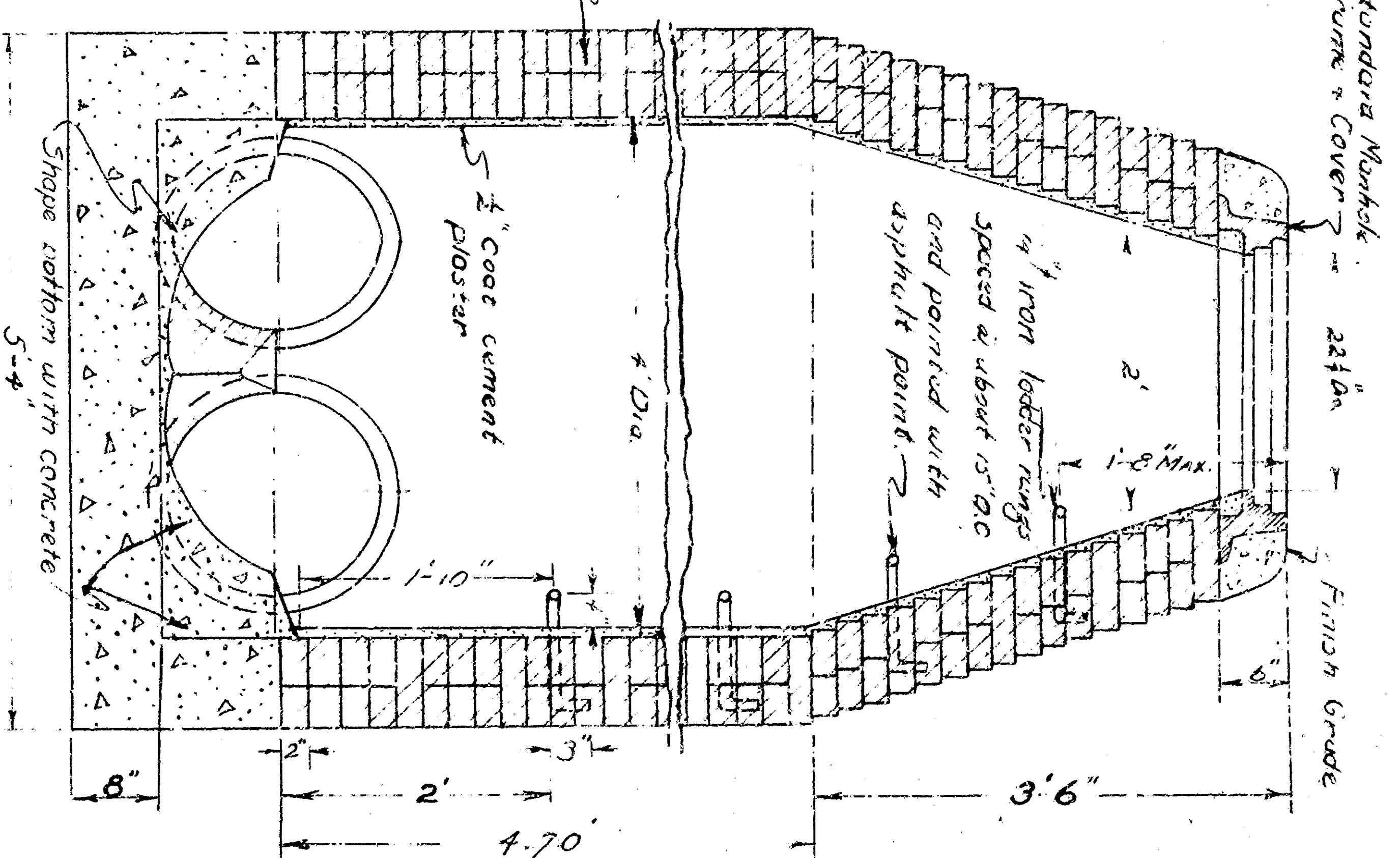
Note to be done



DETAIL OF JUNCTION OF 2 18" PIPES  
Scale 1/2" = 1'-0"

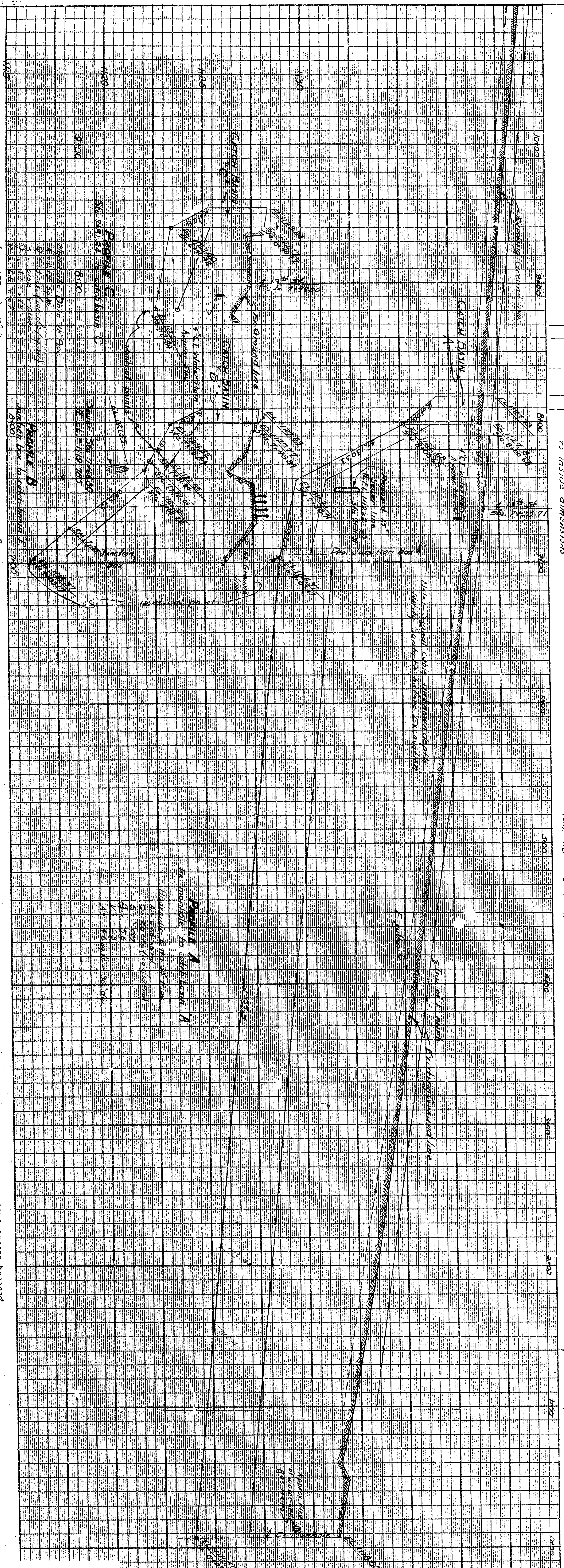


SECTIONAL PLAN  
MANHOLE & JUNCTION BOX  
Scale 1/2" = 1'-0"



SECTION A-A

PLAN  
Scale 1" = 40'

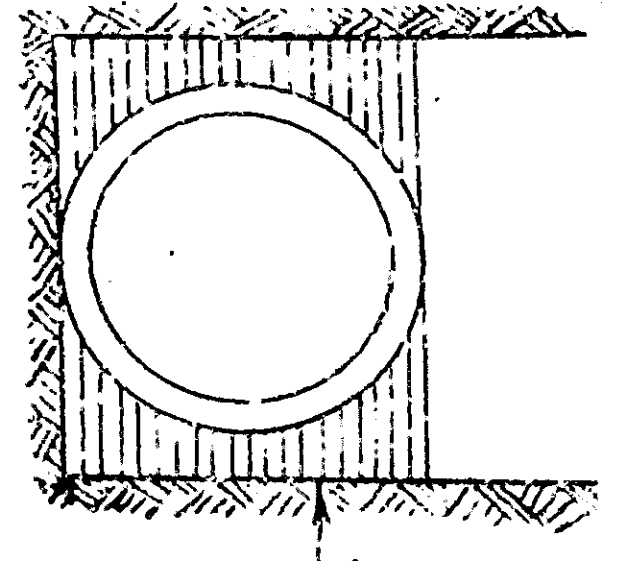


13th  
I  
177' x 18" - 18" dia

BRIMMED 20"

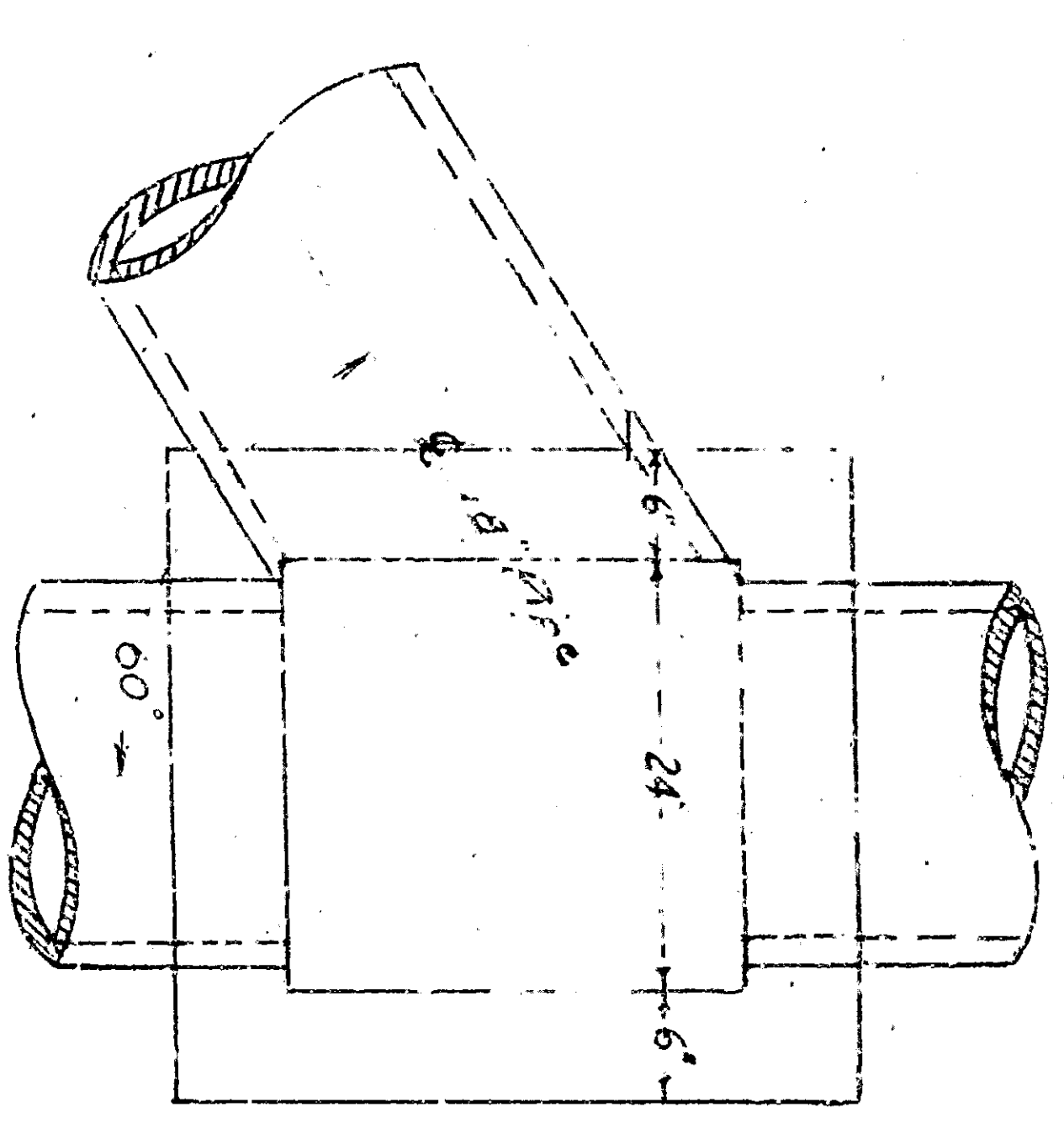
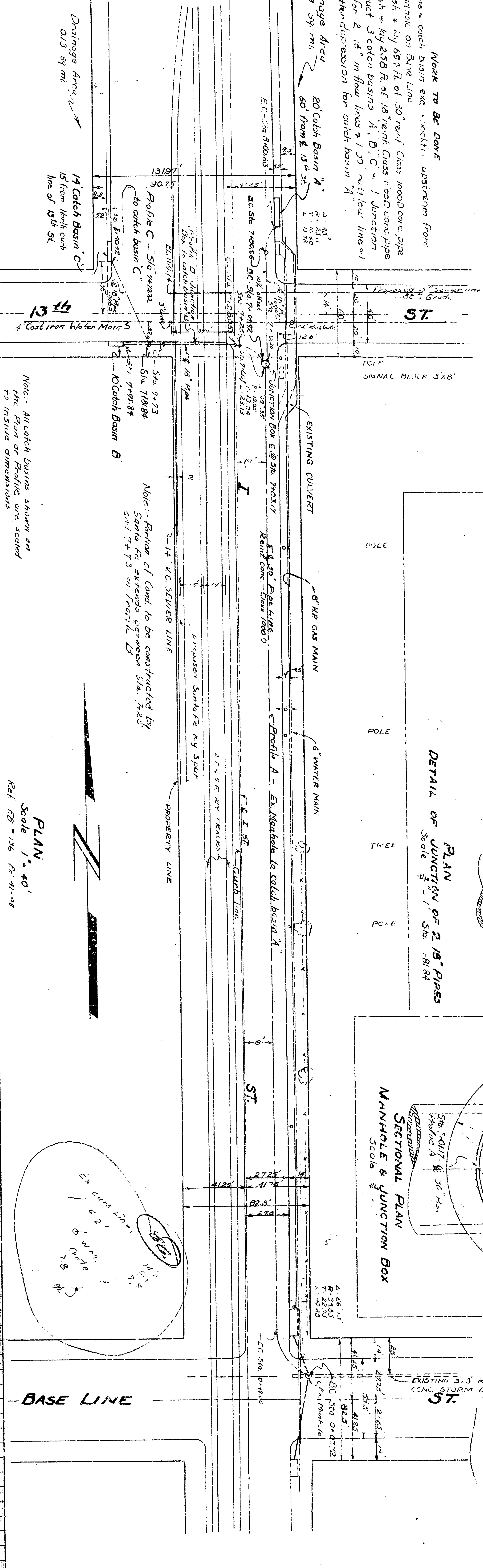
13th  
I

<p>Zone 2 SAN BERNARDINO COUNTY FLOOD CONTROL DISTRICT STATE OF CALIFORNIA</p>	
<p><b>13th &amp; I STORM DRAIN</b></p>	
<p>PLAN &amp; PROFILES SCALE: AS SHOWN</p>	
<p>DRAWN BY: W.L.S.</p>	<p>CHECKED BY: CHICK KEDDER</p>
<p>DESIGNED BY: W.L.S.</p>	<p>RECOMMENDED BY: _____</p>
<p>APPROVED: _____</p>	<p>DATE: _____</p>
<p>APPROVED: BOARD OF SUPERVISORS OF SAN BERNARDINO COUNTY FLOOD CONTROL DISTRICT</p>	
<p>DATE: _____</p>	

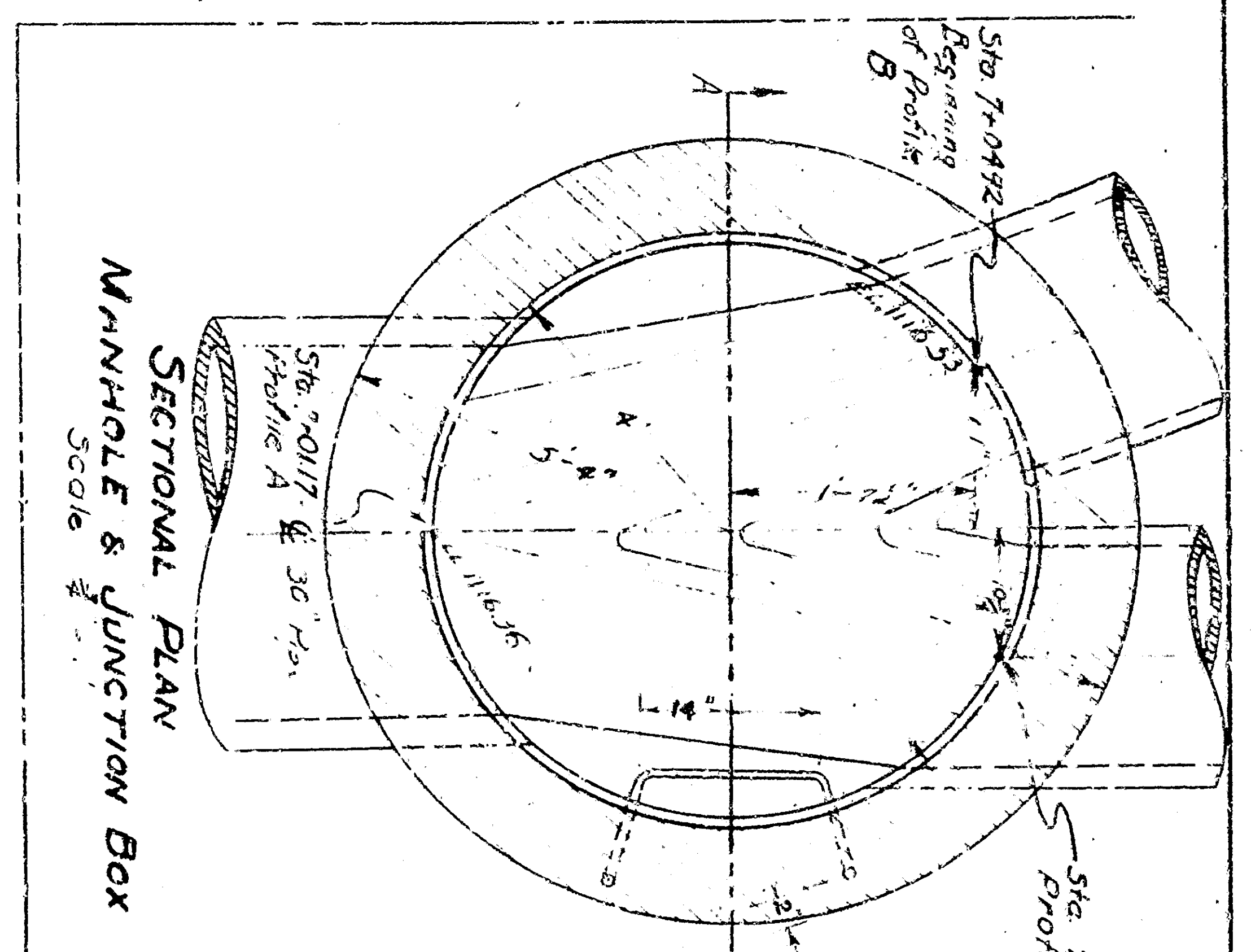


Power Temp selected backfill to top of all pipes shown on this plan

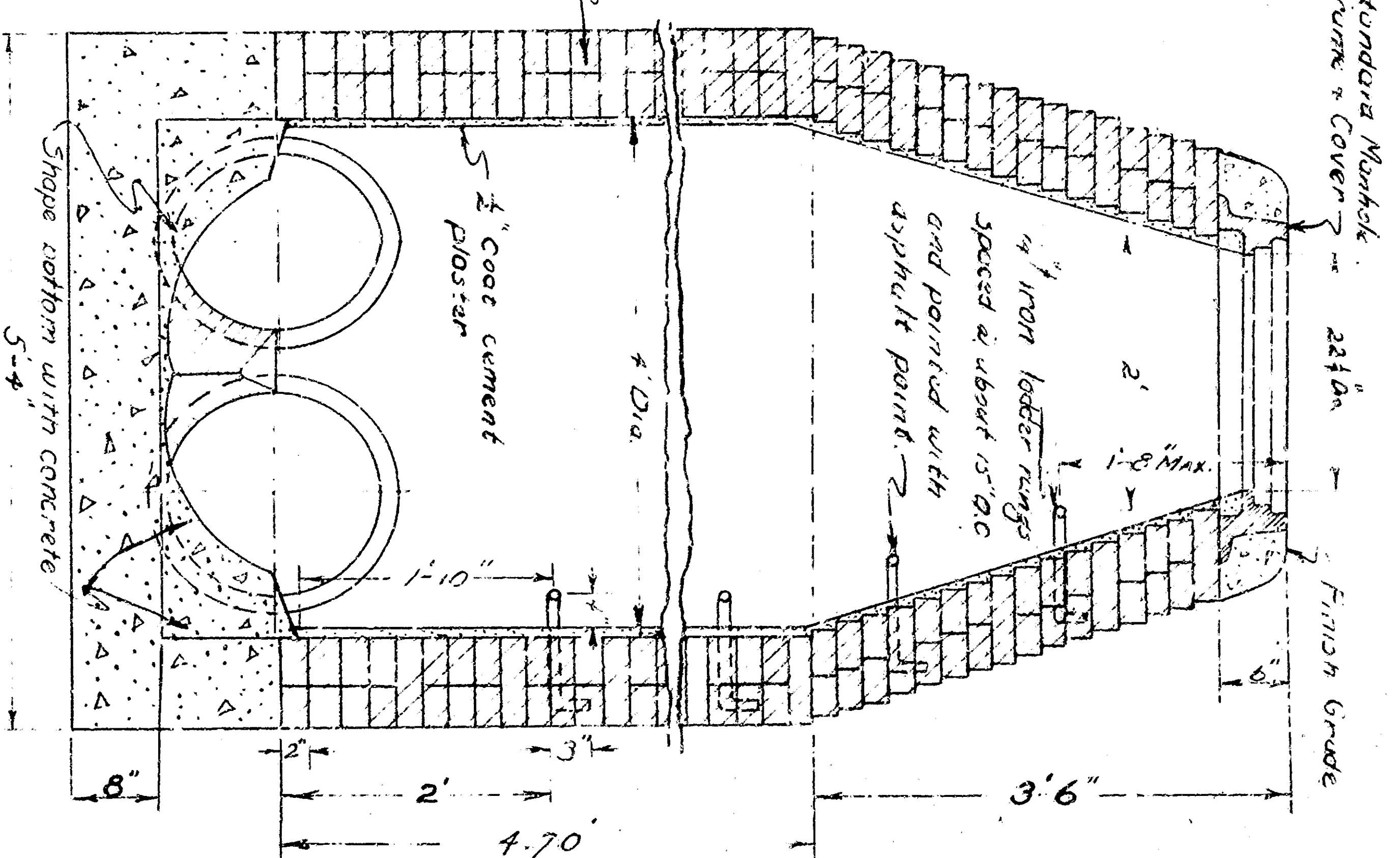
- Notes to be read:
1. Pipe lines - catch basins etc. - section, upstream from the manhole on Pipe Line
  2. Furnish 4' by 6" x 12" of 30' vent. Cast iron down pipe
  3. Furnish 4' by 6" x 12" of 18' vent. Cast iron down pipe
  4. Construct 3 catch basins A, B, C - 1 junction
  5. for 2' 18" in flow lines & 1' 30" in flow line = 1' 30" gutter depression for catch basin A



DETAIL OF JUNCTION OF 2 18" PIPES  
Scale 1" = 5'-0"

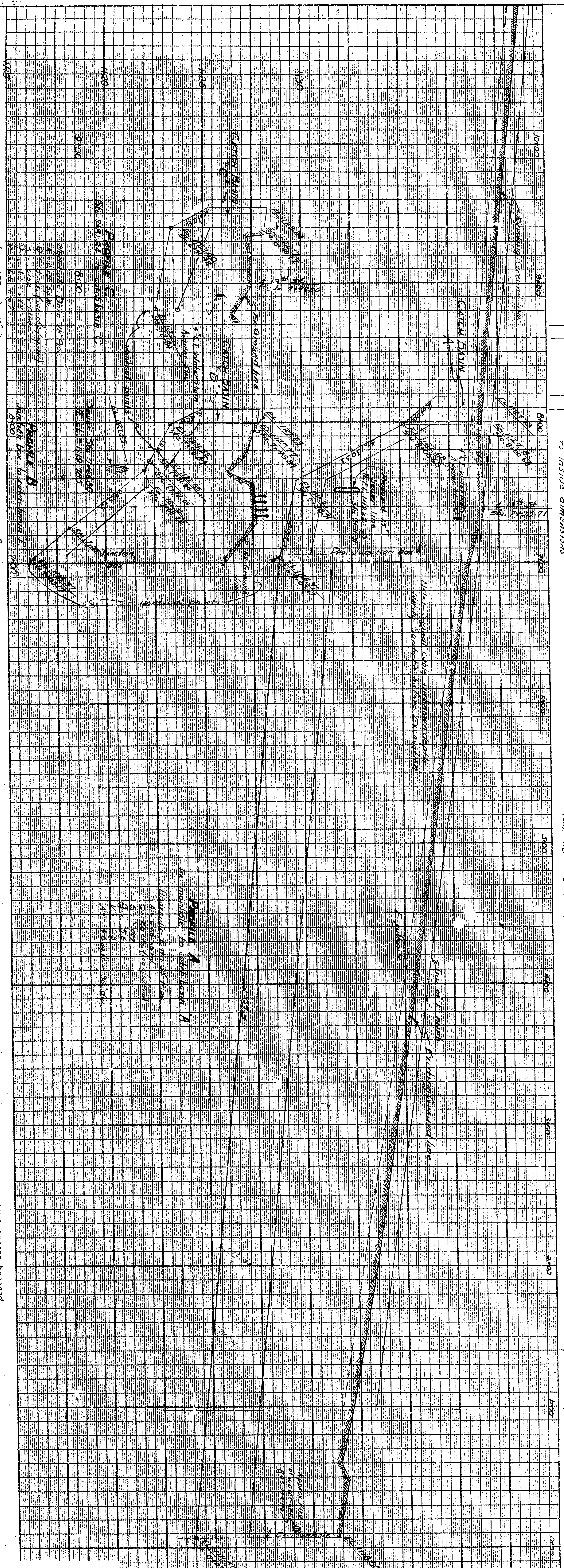


SECTIONAL PLAN  
MANHOLE & JUNCTION BOX  
Scale 1" = 5'-0"



SECTION A-A

PLAN  
Scale 1" = 40'



13th & I Storm Drain  
Scale 1" = 40'

Scale 1" = 40'

Scale 1" = 40'

13th & I Storm Drain  
Scale 1" = 40'

PLAN & PROFILES  
SCALE AS SHOWN

DRAWN BY: W.L.S.  
CHECKED BY: CHICKEDER  
DESIGNED BY: W.L.S.  
RECOMMENDED BY: CHICKEDER  
APPROVED: CHIEF ENGINEER  
DATE: \_\_\_\_\_

BOARD OF SUPERVISORS OF  
SAN BENITO COUNTY ROAD CONTROL DISTRICT  
DATE: \_\_\_\_\_

DATE: \_\_\_\_\_